

KEY FEATURES

- Excellent power handling (500 W RMS)
- High sensitivity (95 dB)
- Designed for subwoofer applications

TECHNICAL SPECIFICATIONS

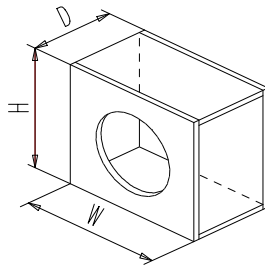
Nominal diameter	300 mm. 12 in.
Nominal impedance	4 ohms
Power handling / Max. power	500 W RMS / 1500 W
Sensitivity	95 dB 1w @ 1m
Frequency range	40 - 1500 Hz
Voice coil diameter	100 mm. 4 in.
Bl factor	17 N/A
Moving mass	0.106 Kg.

THIELE-SMALL PARAMETERS

Resonance frequency, fs	29 Hz
D.C. resistance, Re	4.1 ohms.
Mechanical quality factor, Qms	7.47
Electrical quality factor, Qes	0.28
Total quality factor, Qts	0.27
Equivalent air volume to Cms, Vas	122 l
Efficiency, η (%)	1
Effective surface area, Sd	550 cm ²
Maximum displacement, Xmax	9 mm.
Displacement volume, Vd	495 cm ³
Voice coil inductance, Le @ 1 kHz	1.9 mH

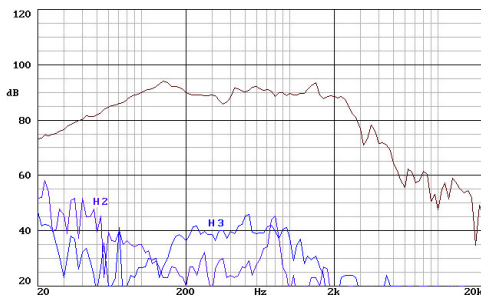
CLOSED BOX

Vol = 35 liters 1.24 ft³
 H = 420 mm. 16.54 in.
 W = 490 mm. 19.29 in.
 D = 240 mm. 9.45 in.
 Wall thickness = 19 mm. 0.75 in.



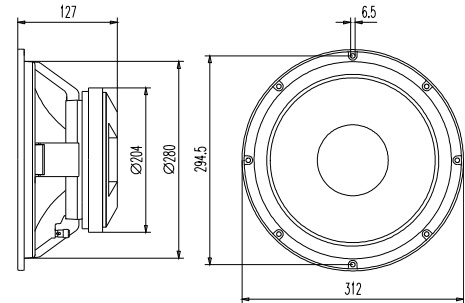
Note: the dimensions are external

FREQUENCY RESPONSE



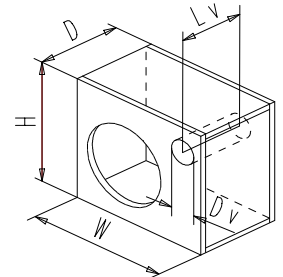
Note: on axis frequency response measured with loudspeaker standing on infinite baffle in anechoic chamber, 1w @ 1m.

DIMENSION DRAWINGS



VENTED BOX

Vol = 46 liters 1.62 ft³
 H = 420 mm. 16.54 in.
 W = 580 mm. 22.84 in.
 D = 260 mm. 10.24 in.
 Wall of thick. = 19 mm. 0.75 in.
 No. of vents = 1
 Dv = 100 mm. 3.94 in.
 Lv = 201 mm. 7.91 in.



Note: the dimensions are external

FREE AIR IMPEDANCE

